



VALVE TECHNOLOGY
CATALOGUE

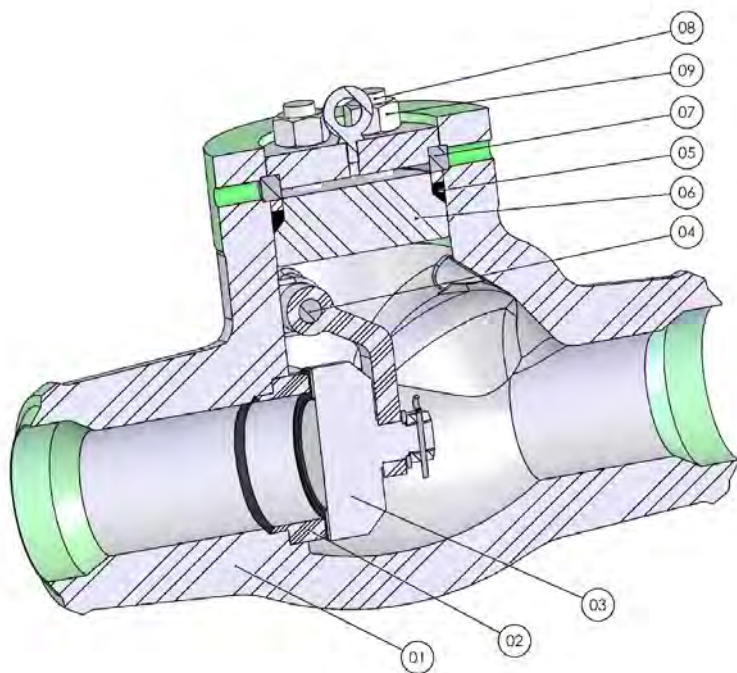
CHECK VALVES ASME B16.34
Pressure Seal

CHECK VALVES

Pressure Seal Configuration

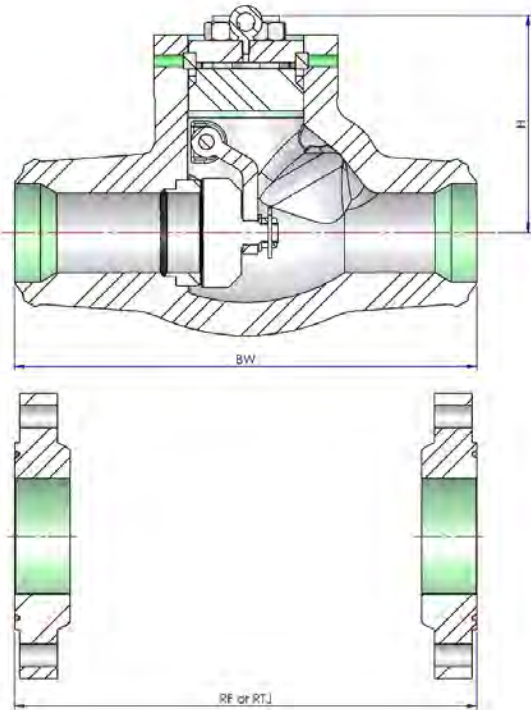
MATERIAL

ITEM	DESCRIPTION	WCB	WC6	WC9	C12A	CF8M
1	BODY	A216 WCB	A217 WC6	A217 WC9	A217 C12A	A351 CF8M
2	SEAT RING	A216 WCB + STELLITE	A217 WC6 + STELLITE	A217 WC9 + STELLITE	A217 C12A + STELLITE	A351 CF8M + STELLITE
3	DISC	A216 WCB + STELLITE	A217 WC6 + STELLITE	A217 WC9 + STELLITE	A217 C12A + STELLITE	A351 CF8M + STELLITE
4	PIN	A182 F6a	A182 F6a	XM19	A182 F91	A182 F316
5	PRESSURE SEAL	SS + GRAPHITE				
6	BONNET	A216 WCB	A217 WC6	A217 WC9	A217 C12A	A182 F316
7	SECTOR RING	A182 F6a	A182 F6a	A182 FXM19	A182 F91	A182 F316
8	BOLT	A193 B7	A193 B7	A193 B16	A193 B16	A193 B8M
9	NUT	A194 2H	A194 2H	A194 4	A194 4	A194 8



CHECK VALVES

Pressure Seal Configuration



ASME CLASS 150

SIZE		RF	BW	H	V	Weight FL	Weight BW
mm	inch			in open position		kg	kg
50	2	203	216	417	204	20	17
65	2 1/2	216	241	490	204	30	26
80	3	241	283	530	254	36	29
100	4	292	305	671	305	53	46
150	6	356	403	880	360	85	77
200	8	494	419	1091	410	136	116
250	10	622	457	1298	460	220	202
300	12	699	502	1501	505	323	294
350	14	787	572	1679	GEAR	387	350
400	16	864	610	1860	GEAR	553	506
450	18	978	660	2077	GEAR	660	575
500	20	978	711	2280	GEAR	810	720
550	22	1067	762	2499	GEAR	910	898
600	24	1295	813	2715	GEAR	1250	1130
650	26	1295	864	2880	GEAR	1460	1332
700	28	1448	914	3260	GEAR	1931	1765
750	30	1524	914	3298	GEAR	1980	1850
850	34	1651	1016	3882	GEAR	2780	2673
900	36	1956	1016	4020	GEAR	3100	2912

LARGER DIMENSIONS ON DEMAND

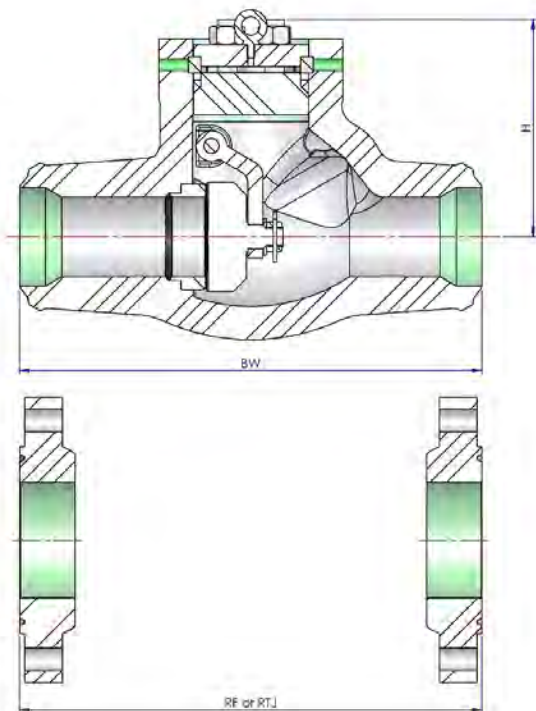
ASME CLASS 300

SIZE		RTJ	RF - BW	H	V	Weight FL	Weight BW
mm	inch			in open position		kg	kg
50	2	232	216	400	200	30	26
65	2 1/2	257	241	477	250	39	34
80	3	298	283	543	250	55	47
100	4	321	305	650	300	83	68
150	6	419	403	880	350	137	118
200	8	435	419	1037	GEAR	240	195
250	10	473	457	1275	GEAR	333	271
300	12	518	502	1438	GEAR	536	432
350	14	762	778	1650	GEAR	699	595
400	16	854	838	1840	GEAR	1010	848
450	18	930	914	2030	GEAR	1205	1025
500	20	1010	991	2240	GEAR	1720	1460
550	22	1114	1092	2510	GEAR	1815	1601
600	24	1165	1143	2900	GEAR	2800	2294
650	26	1270	1245	3150	GEAR	2835	2441
700	28	1371	1346	3170	GEAR	3360	2880
750	30	1422	1397	3360	GEAR	3874	3342

LARGER DIMENSIONS ON DEMAND

CHECK VALVES

Pressure Seal Configuration



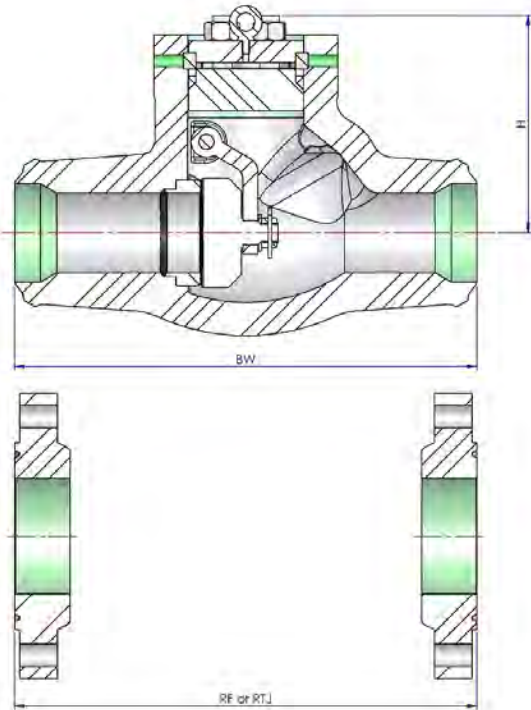
ASME CLASS 600

	SIZE		RTJ	BW - RF	Weight FL	Weight BW
	mm	inch				
	50	2	295	292	36	28
	65	2 1/2	333	330	49	40
	80	3	359	356	68	57
	100	4	435	432	111	83
	150	6	562	559	230	191
	200	8	663	660	416	361
	250	10	790	787	673	543
	300	12	841	838	875	770
	350	14	892	889	944	870
	400	16	994	991	1220	1015
	450	18	1095	1092	1620	1350
	500	20	1200	1194	2120	1750
	600	24	1407	1397	3100	2520

LARGER DIMENSIONS ON DEMAND

CHECK VALVES

Pressure Seal Configuration



ASME CLASS 900

SIZE		RTJ	RF - BW	Weight FL	Weight BW
mm	inch			kg	kg
50	2	371	368	66	49
65	2,5	422	419	93	74
80	3	384	381	91	70
100	4	460	457	145	112
150	6	613	610	259	218
200	8	740	737	565	448
250	10	841	838	900	733
300	12	968	965	1200	975
350	14	1039	1029	1500	1240
400	16	1140	1130	2130	1760
500	20	1334	1321	3280	2894
600	24	1568	1550	5410	4820

LARGER DIMENSIONS ON DEMAND

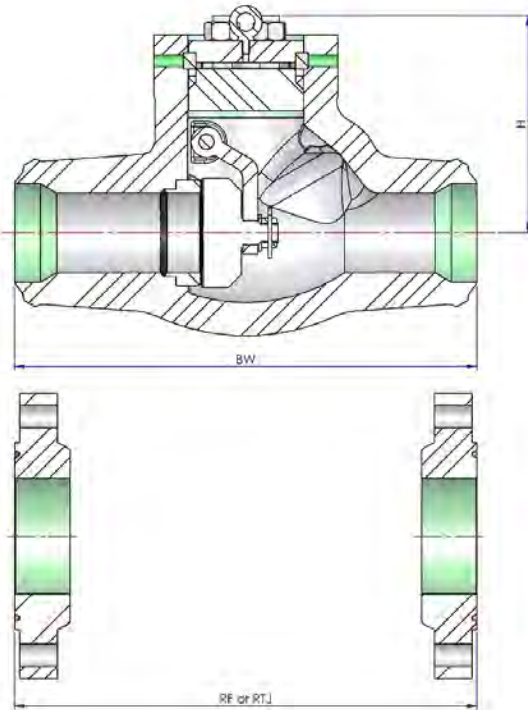
ASME CLASS 1500

SIZE		RTJ	RF - BW	Weight FL	Weight BW
mm	inch			kg	kg
50	2	371	368	69	49
65	2,5	422	419	93	74
80	3	473	470	140	111
100	4	549	546	232	185
150	6	711	705	490	375
200	8	842	832	990	803
250	10	1001	991	1490	1250
300	12	1146	1130	1970	1625
350	14	1276	1257	2720	2198
400	16	1406	1384	3550	2980

LARGER DIMENSIONS ON DEMAND

GATE VALVES

Pressure Seal Configuration



ASME CLASS 2500

SIZE		RTJ	BW - RF	Weight FL		Weight BW	
mm	inch			kg		kg	
50	2	454	451	90		62	
80	3	584	578	278		203	
100	4	683	673	476		394	
150	6	927	914	1060		851	
200	8	1038	1022	1469		1168	
250	10	1292	1270	2882		2240	
300	12	1444	1422	4298		3304	

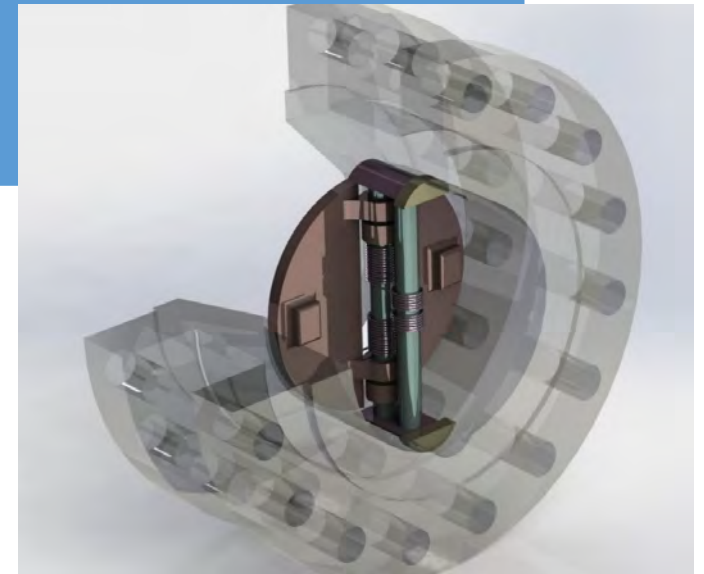
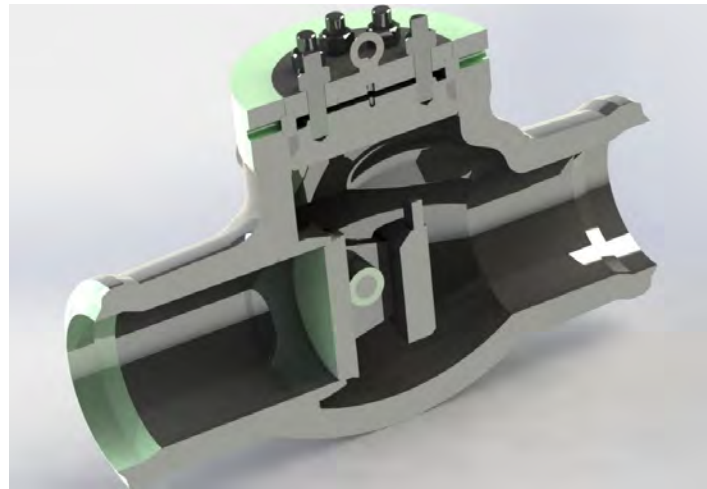
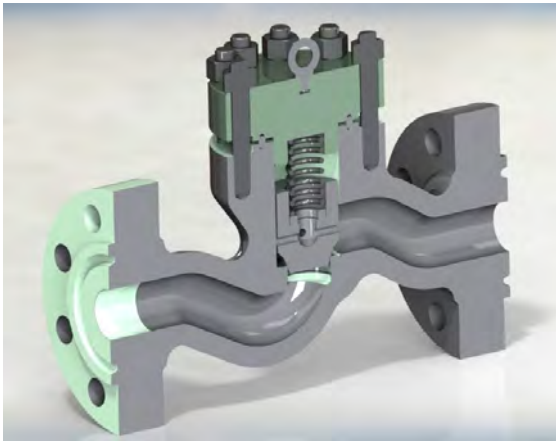
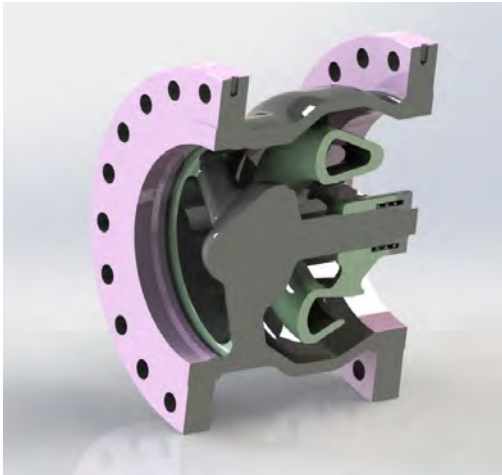
LARGER DIMENSIONS ON DEMAND

CHECK VALVES

Bolted Bonnet & Pressure Seal Configuration

SPECIAL DESIGNS AVAILABLE ON DEMAND:

- SWING CHECK REGULAR OR FULL BORE
- TILTING DISC TYPE
- PISTON CHECK
- AXIAL FLOW
- DUAL PLATE
- SPECIAL DESIGN AND SOLUTION ON DEMAND





Via 1° Maggio, 2
33010 Cassacco (UD) Italy
P.Iva 02699040305

www.frisrl.com

Tel. +39 0432 882813
Email: sales@frisrl.com